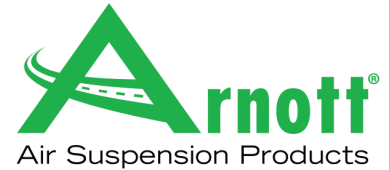


Installation Manual

P-2192

**WABCO OES AIR SUSPENSION COMPRESSOR
FOR 1999-2006 MERCEDES-BENZ S-CLASS
FOR 2002-2009 MERCEDES-BENZ E-CLASS
FOR 2005-2011 MERCEDES-BENZ CLS-CLASS
FOR 2002-2013 MAYBACH 57S & 62S**



Congratulations on your purchase of an Arnett® air suspension product. We at Arnett Incorporated are proud to offer a high quality product at the industry's most competitive pricing. Thank you for your confidence in us and our product.

Proper installation is essential to experience and appreciate the benefits of this system. Please take a moment to review these installation instructions before you begin to install these components on your vehicle. The removal and installation of air suspension products should only be performed by a fully qualified, ASE Certified, professional.

It is equally important to be aware of all necessary safety measures while installing your new Air Suspension System. This includes proper lifting and immobilizing of the vehicle and isolation of any stored energy to prevent personal injury or property damage.

"Engineered to Ride, Built to Last®"



WARNING: *The air suspension system is under pressure (up to 10 bar, or 150 lbf/in). Verify pressure has been relieved and disconnect power to the air suspension system prior to disassembly. Do not allow dirt or grease to enter the system. Always wear standard hand, ear, and eye protection when servicing the air suspension system.*

Arnett® is committed to the quality of its products. If you have a question or problem with any Arnett product, please contact Arnett by calling 800-251-8993 during normal business hours or email techassistance@arnottinc.com. (In the EU please call +31 (0)73 7850 580 or email info@arnotteurope.com)

Installation Manual

P-2192

**WABCO OES AIR SUSPENSION COMPRESSOR
FOR 1999-2006 MERCEDES-BENZ S-CLASS
FOR 2002-2009 MERCEDES-BENZ E-CLASS
FOR 2005-2011 MERCEDES-BENZ CLS-CLASS
FOR 2002-2013 MAYBACH 57S & 62S**



GENERAL INFORMATION:

Reading this manual signifies your agreement to the terms of the general release, waiver of liability, and hold harmless agreement, the full text of which is available at www.arnottinc.com.

- Not to be stored below 5°F (-15°C) or above 122°F (50°C).
- Avoid damage to air lines and cables.
- Removal and installation is only to be performed by fully qualified personnel.
- Use car manufacturer's diagnostic software.

CAUTION: *Damage to the vehicle and air suspension system can be incurred if work is carried out in a manner other than specified in the instructions or in a different sequence.*



To avoid the possibility of short circuits while working with electric components consult your owner's manual on how to disconnect your battery.

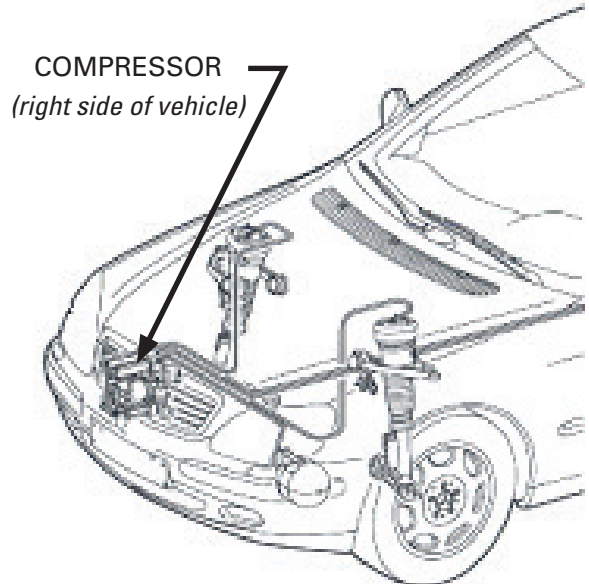
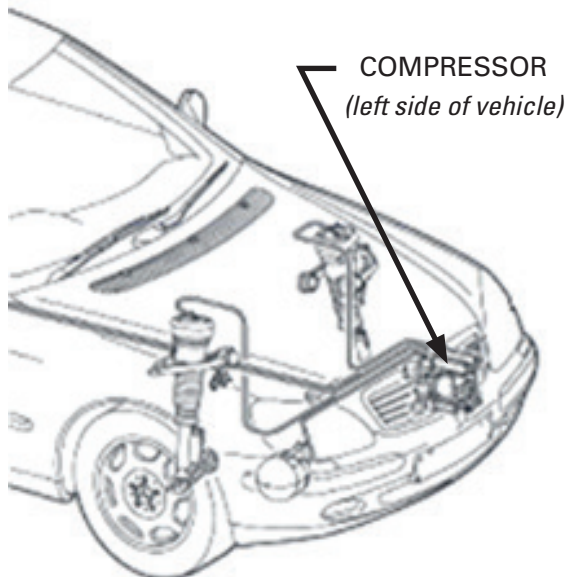


Consult your vehicle owner's manual, service manual, or car dealer for the correct jacking points on your vehicle and for additional care, safety and maintenance instructions. Under no circumstances should any work be completed underneath the vehicle if it is not adequately supported, as serious injuries and death can occur.

AIR COMPRESSOR MOUNTING LOCATIONS

**FOR 2002-2009 MERCEDES-BENZ E-CLASS
FOR 2005-2011 MERCEDES-BENZ CLS-CLASS**

**1996-2006 MERCEDES-BENZ S-CLASS
2002-2013 MAYBACH 57S & 62S**



AIR SUSPENSION COMPRESSOR REMOVAL

1. REMOVE ENGINE COMPARTMENT PANELING UNDERNEATH THE VEHICLE. (FIGURE A)

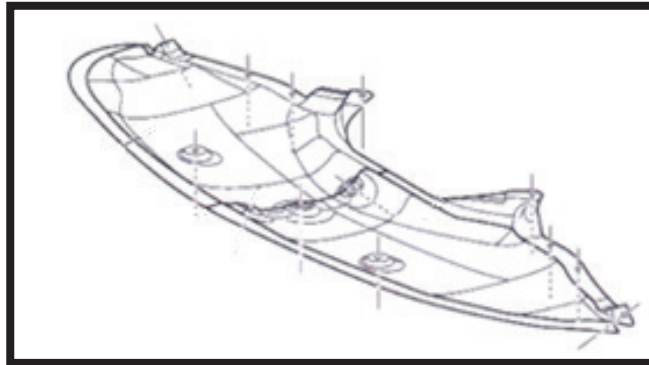


FIGURE A

2. REMOVE THE AIR LINE AND INTAKE TUBE FROM THE COMPRESSOR. REMOVE THE AIR LINE FITTING FROM THE AIR HOSE AND DISCARD. (FIGURE B)

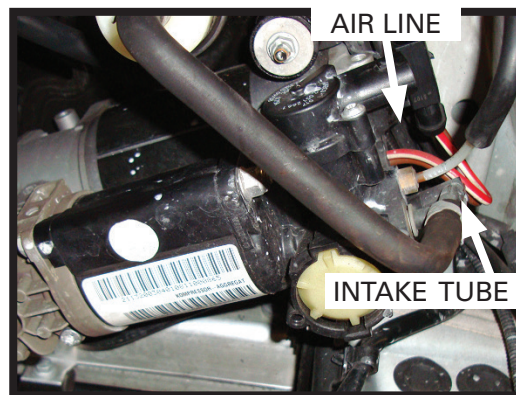


FIGURE B

3. DISCONNECT THE TWO (2) ELECTRICAL CONNECTORS FROM THE COMPRESSOR UNIT. (FIGURE C)

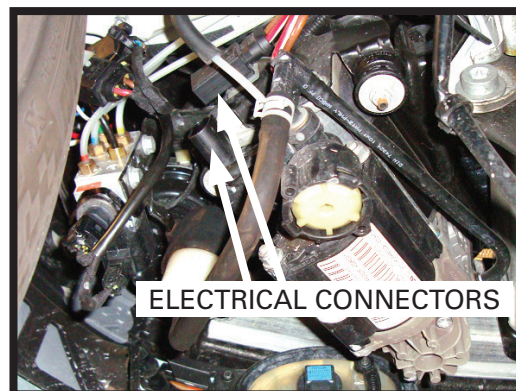


FIGURE C



4. UNSCREW THE THREE NUTS AND REMOVE THE COMPRESSOR UNIT. (FIGURE D)



FIGURE D

5. REMOVAL COMPLETE.

AIR SUSPENSION COMPRESSOR INSTALLATION

-  *Tighten all nuts and bolts to manufacturer's specifications during the installation process.*
-  *Do not remove the air fitting from the air suspension compressor. Doing so may cause damage and/or void warranty. Remove the white shipping pin from the new air fitting and insert the air line until fully seated.*

1. INSTALLATION IS IN REVERSE ORDER OF AIR SUSPENSION COMPRESSOR REMOVAL.
2. RELAY LOCATED ON THE RIGHT SIDE OF THE VEHICLE IN THE ENGINE COMPARTMENT. (FIGURE E)

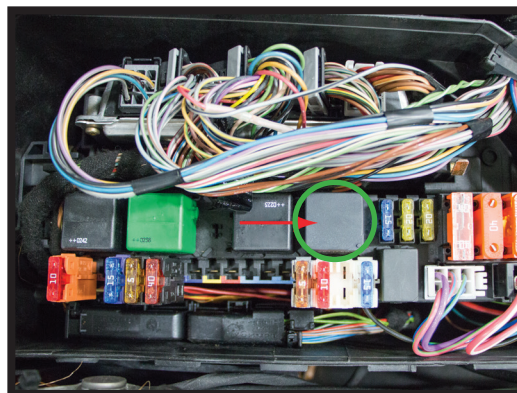


FIGURE E



WARNING



CRACKED AIR SPRINGS MUST BE CHANGED TO VALIDATE THE WARRANTY ON THE COMPRESSOR

PLEASE READ ADDITIONAL WARRANTY INFORMATION ON THE BACK OF YOUR INVOICE



PROPER PROCEDURE FOR ASSESSING YOUR AIR SPRINGS CONDITION:

1. TURN OFF AIR SUSPENSION SWITCH IF EQUIPPED.
2. REFER TO OWNER'S MANUAL FOR PROPER LIFTING TECHNIQUES AND JACKING POINTS.
3. RAISE THE VEHICLE.
4. INSPECT AIR SPRINGS FOR ANY TYPE OF CRACKS OR EXCESSIVE WEAR. LOOK FOR DRY ROT NEAR WHERE THE AIR SPRING FOLDS. YOU MAY ALSO WISHTO SPRAY A SOLUTION OF SOAP AND WATER ON THE AIR BLADDER. EXPANDING BUBBLES WILL BE NOTICEABLE AROUND THE LEAKING AREA.

REFER TO ARNOTTINC.COM FOR REPLACEMENT AIR SPRINGS AND AIR STRUTS.

Arnett[®] is committed to the quality of its products. If you have a question or problem with any Arnett product, please contact Arnett by calling 800-251-8993 during normal business hours or email techassistance@arnottinc.com.
(In the EU please call +31 (0)73 7850 580 or email info@arnotteurope.com)